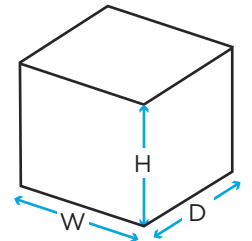
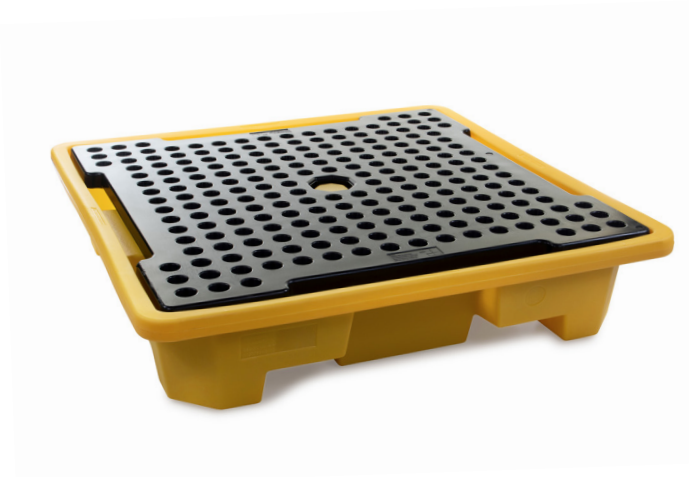


# 4 Drum Nestable Spill Pallet (249 l)

Technical Data



To select a colour, replace 'XXX' with one of the following:

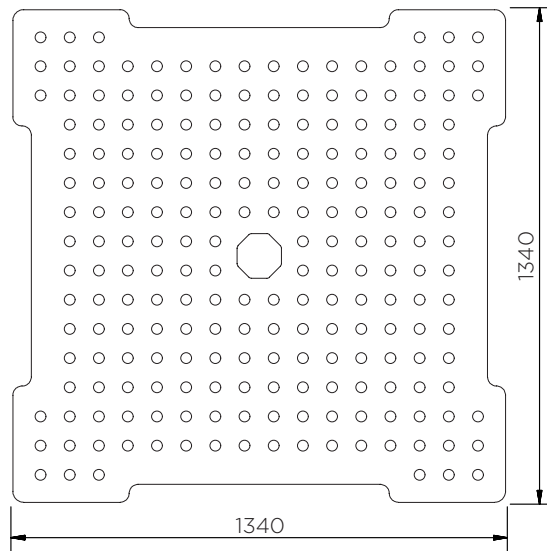
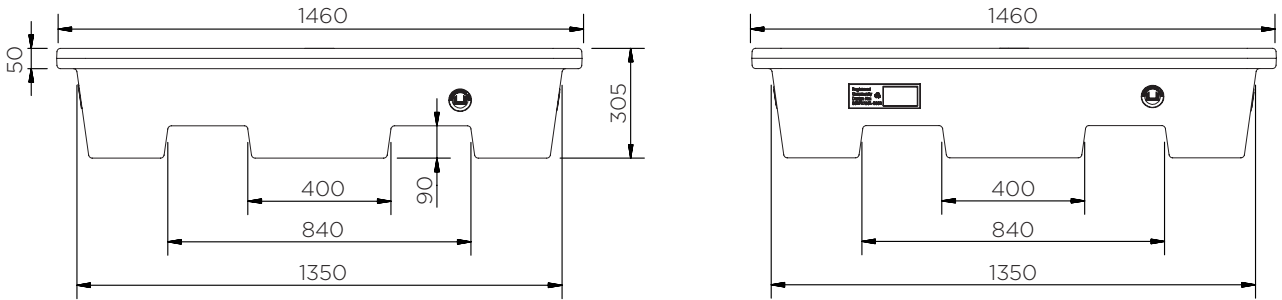
006: ●● 007: ●

|              | Colour | H x W x D<br>(mm) | Platform<br>(mm) | Weight<br>(kg) | Capacity<br>(l) | Max. load<br>(kg) | DIBt        |
|--------------|--------|-------------------|------------------|----------------|-----------------|-------------------|-------------|
| SJ-110-XXX   | ●●     | 305 x 1460 x 1460 | 50 x 1340 x 1340 | 37             | 249             | 1250              | -           |
| SJ-110-007/D | ●      |                   |                  |                | 220*            | 1000              | Z.40.22-380 |

\*Measured to underside of platform

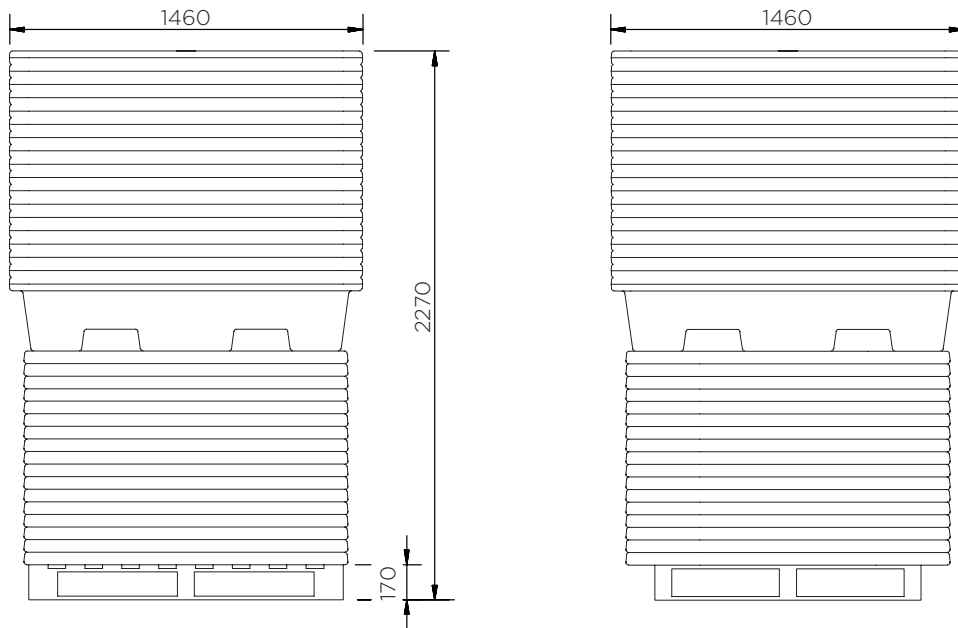
# 4 Drum Nestable Spill Pallet (249 I)

Technical Data



# 4 Drum Nestable Spill Pallet (249 I)

Technical Data



### SJ-110-XXX

|                         |     |
|-------------------------|-----|
| Pieces per pallet       | 20  |
| 20' container           | 64  |
| 40' high cube container | 160 |
| 13.6 m trailer          | 180 |

The information is to our best knowledge true and accurate but all recommendations or suggestions are made without guarantee.